

CE
2460

Optiflex
GLAZE
IOL RANGE



biotech

VISION CARE



PHAKIC
ASPHERIC IOL



TORIC PHAKIC
ASPHERIC IOL

The word “Phakic” describes the state of the eye that still has its natural (crystalline) IOL intact.

Optiflex Glaze range of IOLs are posterior chamber phakic IOLs, manufactured from hydrophilic material having aspheric optic with Zero Spherical Aberration.

Optiflex Glaze range of IOLs are indicated in phakic adults for treatment of low to high Myopia. The eye's natural IOL is not removed, so patient can retain their pre-existing ability to focus objects at various distances.

Optiflex Glaze range of IOLs provide clearer & sharper vision by making your patient's life more joyful. Patients can experience great enhancement in vision immediately after the implantation of **Optiflex Glaze** range of IOLs. The ease of implantation and the post-operative stability makes it stand out in the segment of Phakic IOLs.

INDICATIONS

- Patients having stable Myopic error
- LASIK / PRK rejects, high Myopia, thin Cornea, dry eye etc.
- Stabilized central Keratoconus
- Post RK
- Optiflex Glaze Axis is indicated in phakic adults having low to high myopia with co-existing astigmatism

CONTRA-INDICATIONS

- ACD < 2.8 mm (from Endothelium)
- Progressive refractive error
- Corneal / Endothelial pathology
- Retinal pathology
- Glaucoma
- Narrow AC angle
- Uveitis
- Cataract or capsular opacification
- Progressive Keratoconus
- Other ocular pathologies
- Previous ocular surgeries
- Age < 18 years



FEATURES OF Optiflex GLAZE

- Peripheral Iridectomy not required
- Excellent positional stability
- Higher patient comfort & satisfaction
- Predictable outcomes
- Low to High Myopic correction
- Aspheric optic with zero aberration
- Proven EYECRYL platform

ADVANTAGES OF Optiflex GLAZE

- Excellent refractive results
- Excellent stability of refraction
- Fast visual recovery
- Sharp vision with excellent contrast sensitivity in all lighting conditions
- Familiar surgical technique for Anterior Segment surgeons
- Reversibility
- Can be implanted through 2.8 mm incision size

FEATURES OF Optiflex GLAZE (AXIS)

In addition to the features of **Optiflex Glaze**

- Excellent rotational stability
- Wide range of astigmatic correction
- Predictable outcomes

ADVANTAGES OF Optiflex GLAZE (AXIS)

In addition to the advantages of **Optiflex Glaze**

- Excellent astigmatic correction
- More ease in placement of IOL with visible toric axis marks on periphery of optic

Increased patient comfort

As a part of innovative design, there is a hole in the center part of **Optiflex Glaze** range of IOLs.

The size of hole facilitates natural passage for Aqueous Humor. So, there is no increase in Intraocular pressure, which eliminates the requirement of YAG/Surgical Peripheral Iridectomy (PI).

The optimized hole size does not affect the visual performance of IOL and smooth edges of hole eliminates occurrence of glare and halos. Thus, patient's comfort level is increased with reduction in surgery time.

Thin corneas, not a problem

Optiflex Glaze range of IOLs can be implanted in patients with thin corneas and dry eyes - which are contra-indications for LASIK procedures.

Reversible procedure

Implantation of the **Optiflex Glaze** range of IOLs is done without altering the shape of Cornea, keeping the structural integrity of the eye intact. **Optiflex Glaze** range of IOLs can also be removed easily, if/when required.

Excellent positional stability

Optiflex Glaze range of IOLs with orientation marks helps to implant the IOL behind the Iris in the right orientation. The distance of natural Crystalline Lens and Endothelium from IOL is optimum with precise white-to-white measurements & phakic calculator results.



SPECIFICATIONS

Optiflex GLAZE

Optiflex GLAZE (AXIS)

MATERIAL	Hydrophilic Acrylic CQ UV	Hydrophilic Acrylic CQ UV
OPTIC TYPE	Aspheric	Toric Aspheric
OPTIC SIZE	4.65 mm to 5.50 mm	
OVERALL SIZE	11.0 mm to 14.0 mm	
REFRACTIVE INDEX	1.461	
DIOPTER RANGE	-0 D to -25.0 D (with 0.5D step)	-0 D to -25.0 D (with 0.5D step)
CYLINDER POWER RANGE	Not applicable	0.5D to 5.0D (in 0.5D step)
IMPLANTATION SITE	Posterior chamber	
STERILIZATION	Steam	
SHELF LIFE	4 Years from date of manufacture	
HOLES	2 Holes on haptic area 1 Hole at center	
ORIENTATION MARKS	Left end of leading haptics and Right end of trailing haptics	

Optiflex GLAZE IOL MODELS

MODEL	MPCK20	MPCK25	MPCK30
SIZE (mm)	12.0 mm	12.5 mm	13.0 mm

MPCK10, MPCK15 & MPCK40 for myopic correction and all models for hyperopic correction are available as customized lenses against confirmed order.

Optiflex GLAZE AXIS IOL MODELS

MODEL	MPCKT20	MPCKT25	MPCKT30
SIZE (mm)	12.0 mm	12.5 mm	13.0 mm

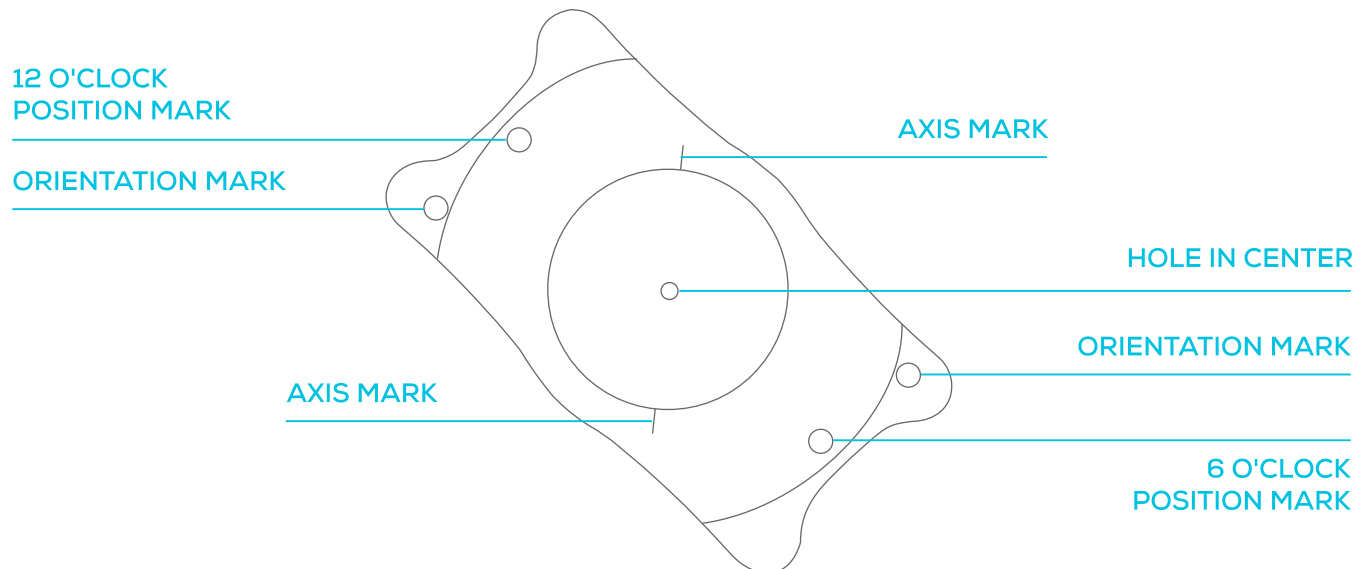
MPCKT10, MPCKT15 & MPCKT40 for myopic correction and all models for hyperopic correction are available as customized lenses against confirmed order.

HOLE IN CENTER & AQUEOUS FLUID PASSAGE

- Eliminates need of PI
- Maintains normal aqueous flow
- Increases surgeon's efficiency
- Eliminates chance of Glaucoma
- Facilitates easy OVD removal

ORIENTATION MARKS

- Two orientation marks are given on leading left & trailing right corners
- These marks clearly indicate unfolding of IOL in right manner inside the eye





SELECTION OF SUITABLE MODEL & DIOPTER

- Simple & easy online calculator is available – www.optiflexcalculators.com
- Steps to follow:
 1. Register yourself for the first time
 2. Enter required pre-operative data of patient
 3. Select one suitable option from suggested 5 options depending upon requirement.

Optiflex GLAZE CALCULATOR

Online **Optiflex Glaze** Calculator gives recommendations for **Optiflex Glaze** IOL model with dioptric power options, according to the pre-operative data. It also provides **Optiflex Glaze Axis** model recommendation, cylindrical power and intended axis of IOL placement in the eye.

www.optiflexcalculators.com



STEPS FOR USING Optiflex GLAZE CALCULATOR

- Registration
- Confirmation for login detail (User ID and Password) will be mailed to registered mail ID
- Login with your ID, Password
- Selection of **Optiflex Glaze**
- Enter patient's pre-operative data
- Choose appropriate **Optiflex Glaze** IOL diopter / **Optiflex Glaze Axis** IOL diopter and cylinder
- Print the final output page

REQUIRED DATA FOR CALCULATOR

- Patient's Name
- Patient's Birthdate
- Patient ID number
- Surgery date
- Left Eye/Right Eye
- Flat K & Axis of Flat K
- Steep K & Axis of Steep K
- White to White Distance (mm)
- Anterior Chamber Depth (mm) from Endothelium
- Corneal Thickness (mm)
- Pre-operative Sphere (D)
- Pre-operative Cylinder (D) with Axis

CALCULATION RESULT

- Recommended IOL Model with size
- Selected IOL Power options (Sphere and Cylinder)
- Expected Post-operative Refraction (Sphere and Cylinder)
- Instructions for rotational positioning of IOL (in case of Phakic Toric version)

NOTE

Optiflex Glaze calculator is neither intended to be used for final diagnosis nor as a substitute for surgeon expertise.

RESULT PAGE Optiflex GLAZE

Patient Details

Patient's Name:

Patient's ID:

Eye:

Doctor Details

Doctor's Name:

Doctor's ID:

Date:

Calculation Details

IOL Model Recommended: IOL Model Size(in mm):

IOL Power Selected(in D):
Sphere: Cylinder: Axis:

Expected Post-Operative Sphere:
Sphere: Cylinder: Axis:

Pre-Operative Data

K1: @

K2: @

Pre-Operative Sphere (in D):

Pre-Operative Cylinder (in D): @

Corneal Thickness (in mm):

Back Vertex Distance (in mm):

White to White Distance (in mm):

Anterior Chamber Depth (in mm):

Patient Details

Patient's Name:

Patient's ID:

Eye:

Doctor Details

Doctor's Name:

Doctor's ID:

Date:

Calculation Details

IOL Model Recommended: IOL Model Size(in mm):

IOL Power Selected(in D):

Sphere: Cylinder: Axis:

Expected Post-Operative Sphere:

Sphere: Cylinder: Axis:

Pre-Operative Data

K1: @ Corneal Thickness (in mm):

K2: @ Back Vertex Distance (in mm):

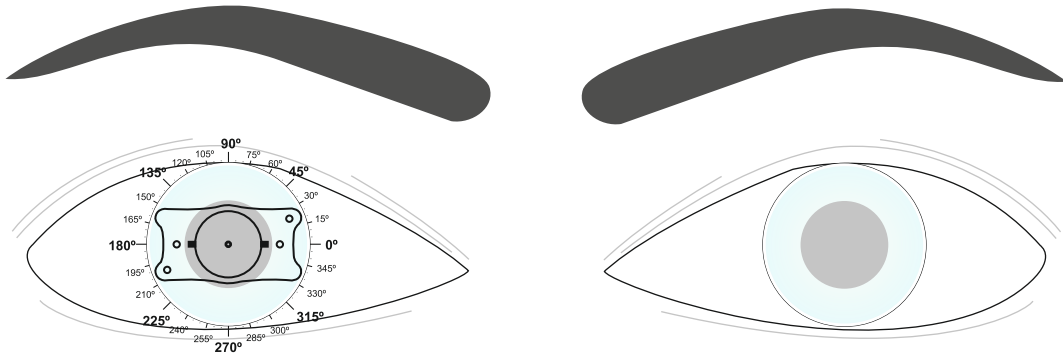
Pre-Operative Sphere (in D): White to White Distance (in mm):

Pre-Operative Cylinder (in D): @ Anterior Chamber Depth (in mm):

INSTRUCTIONS FOR ROTATIONAL POSITIONING OF LENS

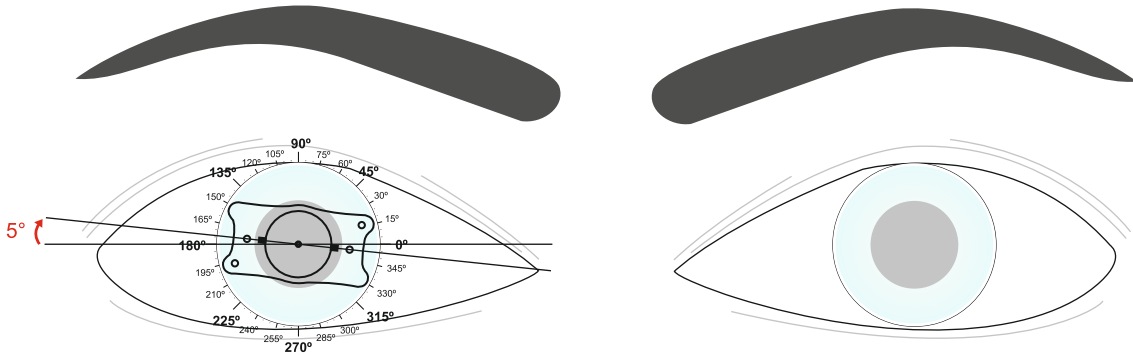
STEP 1

Implant lens horizontally.



STEP 2

Rotate lens Clockwise by 5 degree to align toric axis location marks on the lens with 175 degree axis marks on the cornea.



Patient	Mr XYZ		
Eye	OD (Right)		
Lens Model	TPCK25 (12.5)		
	Sphere	Cylinder	Axis
Lens Label Data	-17 D	2 D	0°
Lens Selected Data	-17 D	2 D	175°
Expected Post-Operative Residual	-0.26 D	0.07 D	175°
Rotation	5° Clockwise		



PRE - OPERATIVE MEASUREMENTS

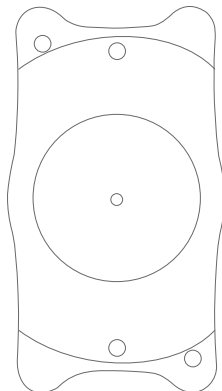
- Subjective refraction
- Endothelial Cell Density (ECD) measurement should be performed pre-operatively to determine if candidate meets the minimum ECD requirement based upon age and ACD.
- Sizing of the **Optiflex Glaze** range of IOLs depends on measurement of white-to-white and Anterior Chamber Depth (ACD). So, these measurements must be precise to achieve predictable surgical outcomes.
- Intra-ocular pressure (IOP) should be checked pre and post-operatively.

LOADING TECHNIQUE

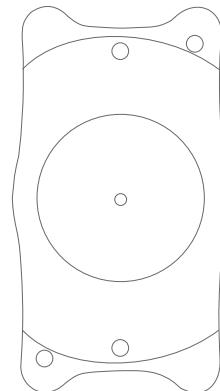
- Very easy & similar to hydrophilic / hydrophobic IOL loading technique ensures surgeon's comfortness
- Great time saving
- Follow steps mentioned in "Instructions for Use" (given in IOL box), for loading & implantation of **Optiflex Glaze**

CORRECT POSITION OF ORIENTATION MARKS

LEADING LEFT
TRAILING RIGHT



LEADING RIGHT
TRAILING LEFT







MANUFACTURING FACILITY
BIOTECH EUROPE MEDITECH INC. LIMITED | Unit AF 2, IDA Business & Technology Park,
Gallowstown, Co Roscommon, F42 P862, IRELAND. | Email: intlsales@biotechhealthcare.com